

RADWIN

1000BASE-T Copper SFP

Data Sheet



RW-9923-0025

Product Description

- » 1Gbps SFP transceiver for twisted pair cable
- » Compatible with all RADWIN products equipped with 1Gbps SFP interface: JET DUO, MultiSector, SmartNode, IDU-S, IDU-H
- » Supports up to 75 meters over shielded twisted pair CAT5E Cable

Product Highlights

- » RJ-45 connector
- » Industrial operational conditions -40°C to 85°C
- » Compliant with IEEE802.3-2002 and IEEE 802.3ab
- » Hot Pluggable
- » All metal housing for superior EMI performance
- » Low power consumption

Product Specifications:

+3.3.V Electrical power interface

Parameter	Min.	Typical	Max.	Notes
Supply current (Is)		320mA	375mA	1.2W max power over full range of voltage and temperature.
Input voltage (Vcc)	3.13V	3.3V	3.47V	Reference to GND
Maximum voltage (Vmax)			3.6V	

Electrical characteristics

Parameter	Min.	Max	Notes
Data rate (BR)		1000Mb/sec	IEEE 802.3 compatible. See Notes 1 through 3 below
Cable length (L)		100m	Category 5 UTP. BER <10-12

NOTE:

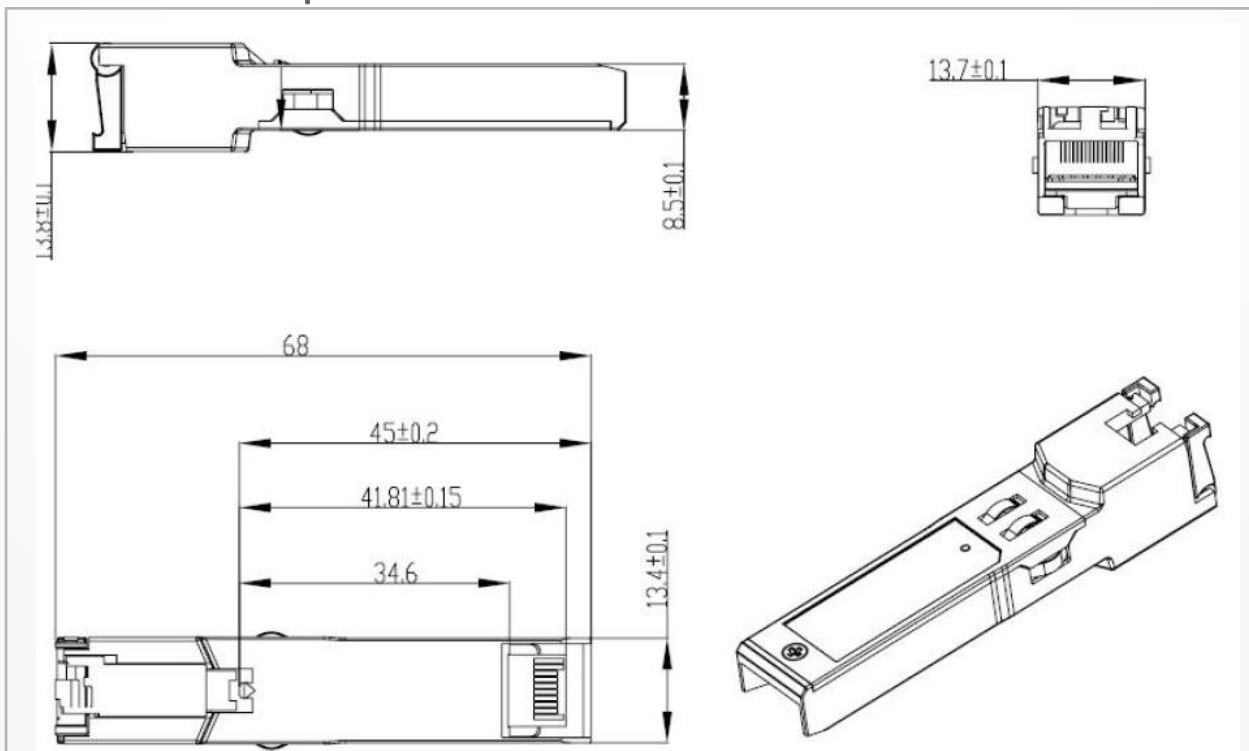
1. Clock tolerance is +/- 50 ppm
2. By default, the RW-9923-0025 SFP device is a full duplex device in preferred master mode
3. Automatic MDI/MDI-X detection is enabled. External crossover cable is not required

Regulatory compliance

This SFP+ transceiver is designed to be Class I Laser safety compliant and also complies with:

Environmental protection	RoHS Directive 2002/95/EC	Environmental protection
--------------------------	---------------------------	--------------------------

Mechanical specifications:



Datasheet information can be changed by manufacturer without prior notice