



## Product Specifications:

### Operating parameters

Parameter	Min.	Typical	Max.
Power supply voltage (Vcc)	3.135V	3.3V	3.465V
Absolute maximum power supply voltage (Max VCC)	-	-	3.6V
Case temperature (Tc)	-40°C	-	85°C
Storage temperature (Ts)	-40°C	-	85°C
Operating humidity (RH)	5%	-	85%
Power consumption	-	-	1100mW

## Optical and Electrical Characteristics:

The characteristics in the table below are defined over the recommended operating environment unless otherwise specified

### Transmitter

Parameter	Min	Notes
Centre Wavelength ( $\lambda_c$ )	1260-1355nm	
Side mode suppression ratio (min)	40dB	
Launched power	-6dBm	1
Extinction Ratio (ER)	4dB	
Optical return loss tolerance	12dB	

### Receiver

Parameter	Min	Notes
Centre Wavelength ( $\lambda_c$ )	1260-1355nm	
Receiver sensitivity	-17dBm	2
Receiver reflectance	-12dBm	
Receiver power (damage, Max)	0dB	

NOTE:

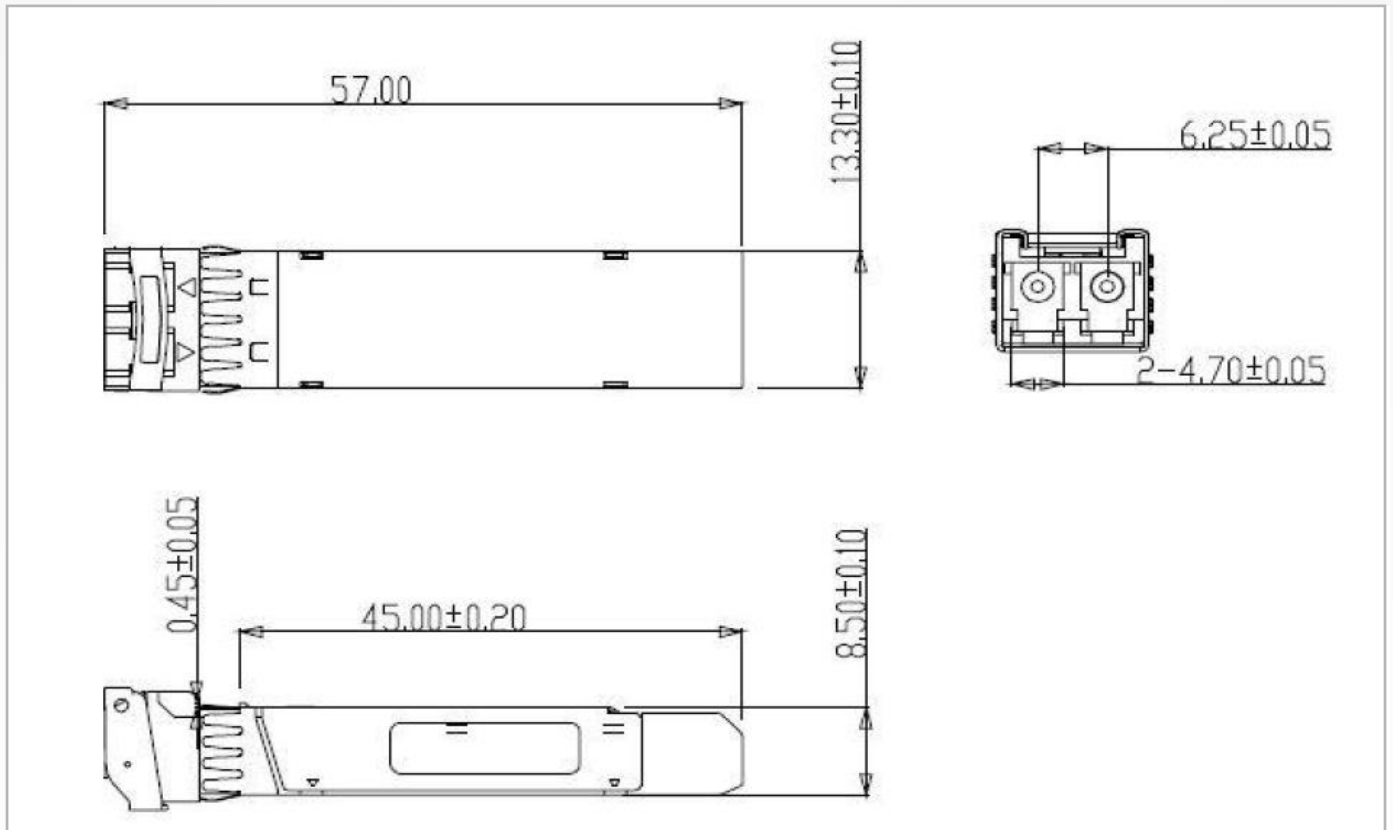
1. The optical power is launched into SMF
2. Measured with a PRBS 2<sup>31</sup>-1 test pattern@10.3125Gbps BER≤10<sup>-12</sup>

## Regulatory compliance:

This SFP transceiver is designed to be Class I Laser safety compliant and also complies with:

Environmental protection	RoHS Directive 2002/95/EC
EMC	EN 55022:2006+A1:2007, EN 55024:1998+A1+A2:2003
Laser Safety	CDRH 21 CFR 1040 and Laser Notice No. 50, designed to be Class I compliant
Product Safety	EN 60825-1:2007, EN 60825-2:2004, EN 60950-1:2006

## Mechanical specifications:



Datasheet information can be changed by manufacturer without prior notice