

Mounting instructions - Azimuth and Elevation Adjustable Mount MNT-22

Fig .1

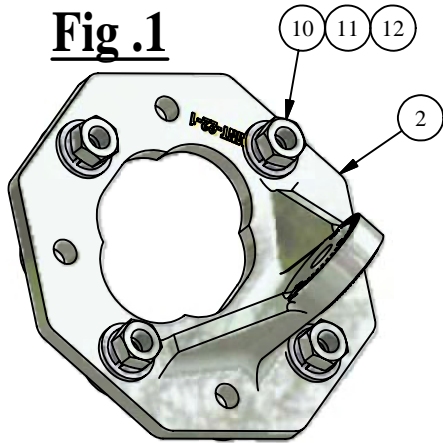


Fig .2

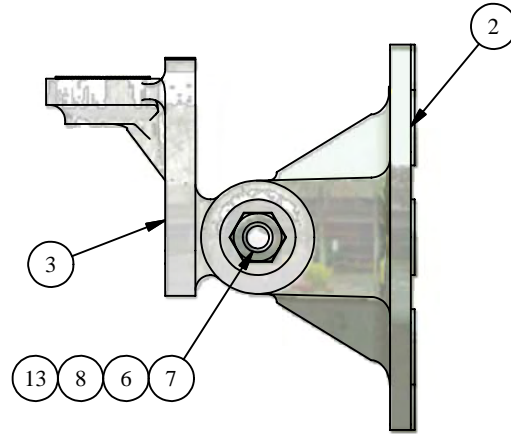
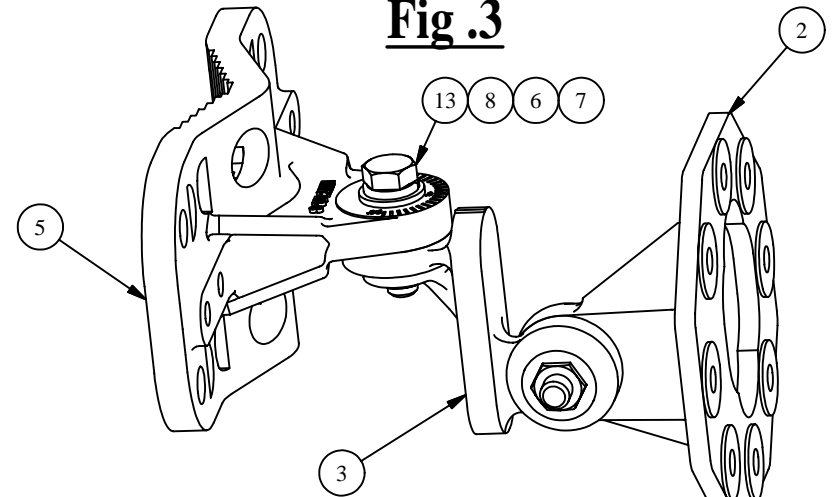


Fig .3



1. Place item No.2 on the antenna, as illustrated in the drawing. Align with the screw holes.
2. Connect item No. 2 to the antenna with spring washers (11), flat washer (10) and nuts (12).
3. Tighten the nuts at a torque of 30 In*Lbs.

4. Connect item No. 3 to item No. 2 ONLY as illustrated in Fig.2, with items 6,7,8,13. Leave screw slightly loose.

5. Connect item No. 3 to item No. 5 as illustrated, with items 6,7,8,13. Leave screw slightly loose.

Fig .5

Wall Mounting

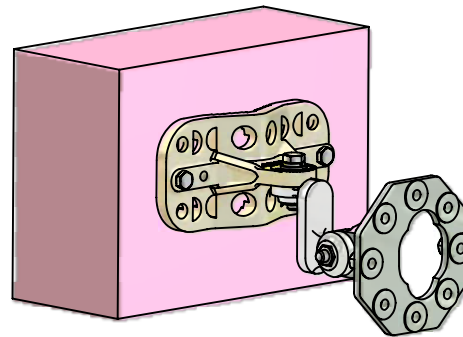
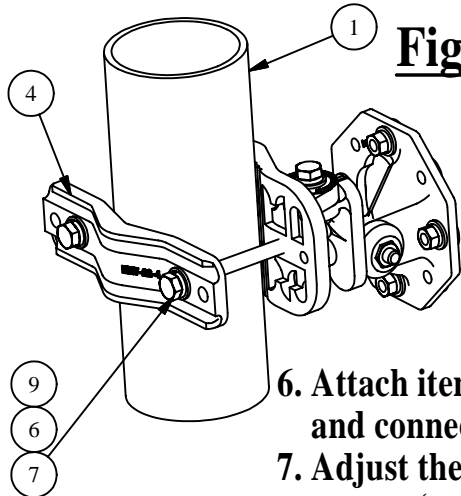


Fig .4



6. Attach items No. 4 and 5 to the pole as illustrated, and connect them using items No. 6,7,9.
7. Adjust the desired angle, and fully tighten the loose screws (paragraph 4,5).
8. Tighten the nuts at a torque of 30 In*Lbs.

NOTE :

1. MOUNT MNT-22 SUITABLE FOR POLES Ø1"-4".

Parts List		
ITEM	QTY	DESCRIPTION
1	1	POLE 1"-4" (NOT SUPPLIED)
2	1	MNT-22-1
3	1	MNT-22-2
4	1	MNT-22-4
5	1	MNT-22-3
6	4	Helical Spring Lock Washer St. St. #5/16
7	4	Plain Washer St. St. #5/16
8	2	Hex Cap Screw St. St. NC 5/16-18 x 1.25"
9	2	Hex Cap Screw St. St. NC 5/16-18 x 5"
10	4	Plain Washer St. St. #1/4
11	2	Helical Spring Lock Washer St. St.#1/4
12	4	Hex Nut St. St. NC 1/4-20
13	2	Hex Nut St. St. NC 5/16-18