

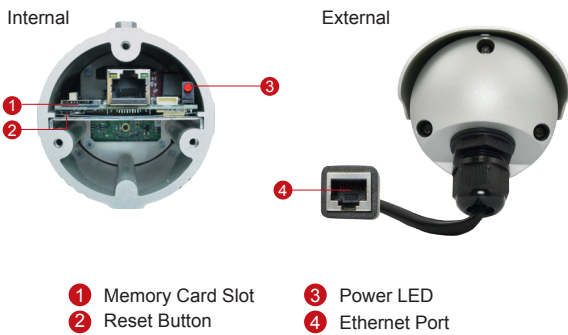
E33A

5MP Bullet with D/N,
Adaptive IR, Basic WDR, Fixed Lens

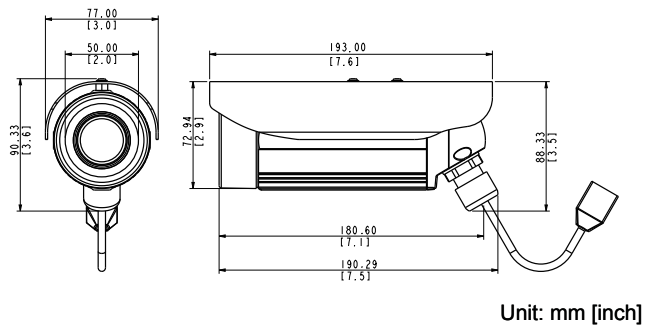


- 5 Megapixel with 1080p
- Day & Night with Adaptive IR LED
- Fixed Lens with f4.2mm / F1.8
- Basic WDR (74 dB)
- 30 fps at 1920 x 1080
- Weatherproof (IP68) and Vandal Proof Metal Casing (IK10)

PHOTO INDICATION



DIMENSION DIAGRAM



Unit: mm [inch]

ACCESSORY OPTIONS

Camera Bracket		
PMAX-1103		Aluminum, max. load 10 kg (22.05 lb), tilt angle 90°, swivel angle 360°

Popular Mounting Solutions		
Corner	PMAX-1103 PMAX-0402	
Pole	PMAX-1103 PMAX-0503	

* For more mounting solutions, please refer to Project Planner on www.acti.com

PRODUCT SPECIFICATION**E33A****• Device**

Device Type	Bullet Camera
Image Sensor	Progressive Scan CMOS
Sensor Size	1/3.2"
Effective Pixels	2592 (H) x 1944 (V) (5.04 MP)
Day / Night	Yes
Superior Low Light Sensitivity	No
Minimum Illumination	Color: 0.1 lux at F1.8 (30 IRE, 2400°K); B/W: 0 lux (IR LED on)
Color to B/W Switch	ISP sensor based switch; Configurable
Mechanical IR Cut Filter	Yes
IR Sensitivity Range	700 - 1100 nm
IR LED	Adaptive IR LED (IR Exposure Compensation) x 20 (850 nm)
IR Working Distance	30 m (0 lux, 30 IRE, Gain 255, Auto shutter mode)
Electronic Shutter	1/5 ~ 1/2,000 sec (manual mode); 1/5 ~ 1/10,000 sec (auto mode)
TV Lines	1350
S/N Ratio	52 dB

• Lens

Focal Length / Aperture	Fixed focal, f4.2 mm / F1.8
Iris	Fixed iris
Focus	Fixed focus
Lens Mount	Board mount
Horizontal Viewing Angle	62.7°

• Video

Compression	H.264 HP, MJPEG
Max. Frame Rate vs. Resolution	15 fps at 2592 x 1944; 15 fps at 2048 x 1536; 30 fps at 1920 x 1080; 30 fps at 1280 x 720; 30 fps at 640 x 480; 15 fps at 320 x 240
Multi-Streaming	Simultaneous dual streams based on two configurations
Bit Rate	28 Kbps - 6 Mbps (per stream)
Bit Rate Mode	Constant, Variable
Image Enhancement	Basic WDR (74 dB); White balance: automatic, hold, and manual; Brightness; Contrast; Sharpness(auto); Auto gain control; Digital noise reduction; Flickerless
Privacy Mask	4 configurable regions
Text Overlay	User defined text on video
Image Orientation	Image flip and mirror

• Network

Protocol & Service	TCP, UDP, HTTP, HTTPS, DHCP, PPPoE, RTP, RTSP, IPv4, IPv6, DNS, DDNS, NTP, ICMP, ARP, IGMP, SMTP, FTP, UPnP, SNMP, Bonjour
Ethernet Port	1, Ethernet (10/100 Base-T), RJ-45 connector
Security	IP address filtering; HTTPs encryption; Password protected user levels; Anonymous login; IEEE802.1X network access control

• Alarm

Alarm Trigger	Video motion detection (3 regions)
Alarm Response	Notify control center; Change camera settings; Command other devices; E-mail notification with snapshots; Upload video, Snapshot to FTP server

• Interface

Local Storage	MicroSDHC/MicroSDXC memory card slot (card not included)
---------------	--

• General

Power Source / Consumption	PoE Class 2 (IEEE802.3af) / 4.8 W (IR on)
Weight	704 g (1.29 lb)
Dimensions (Ø x L)	77mm x 190mm (3.03" x 7.48")
Bundled Accessories	Bracket
Environmental Casing	Weatherproof (IP68); Vandal proof metal casing (IK10)
Mount Type	Wall, Ceiling, Corner, Pole
Starting Temperature	-20 °C ~ 50 °C (-4 °F ~ 122 °F)
Operating Temperature	-40 °C ~ 50 °C (-40 °F ~ 122 °F)
Operating Humidity	10% ~ 85% RH
Approvals	CE (EN 55022 Class B, EN 55024), FCC (Part15 Subpart B Class B), IP68, IK10 (metal casing); NEMA 4X

• Integration

Unified Solution	Fully compatible with ACTi software
ISV Integration	Software Development Kit (SDK) available; ONVIF compliant
Firmware Access Browser	Microsoft Internet Explorer 8.0 or newer (full functionality); Safari with QuickTime installed, and other browsers with VLC installed (partial functionality)

* All specifications are subject to change without notice.

* All brand names and registered trademarks are the property of their respective owners.

www.acti.com