

**MT-486001**

## 5.15-5.875 GHz 28dBi Broadband Subscriber Antenna

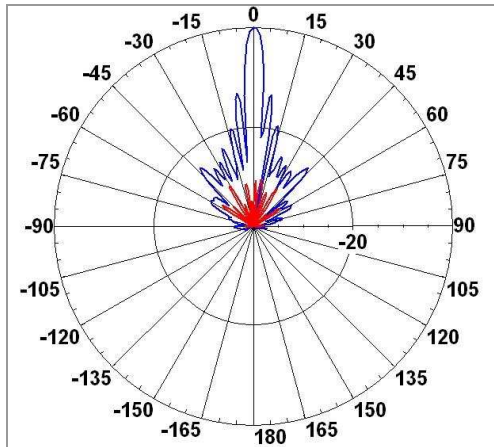


### Specifications

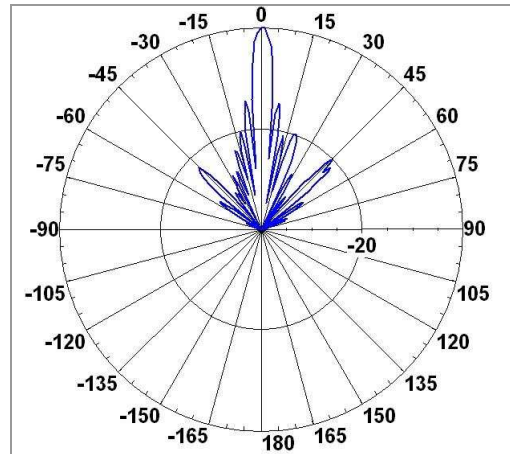
MTI PART NUMBER		MT - 486001			
<b>ELECTRICAL</b>					
REGULATORY COMPLIANCE	ETSI EN 302 085 V.1.1.2 (2001-02) Range 1, RoHS, CE 0682				
FREQUENCY RANGE	5.15 - 5.875 GHz				
GAIN	28 dBi (min)				
VSWR	1.7 : 1 (max)				
3 dB BEAMWIDTH	4.5° (typ)				
POLARIZATION	Linear Vertical or Horizontal				
SIDELOBES LEVEL	ETSI EN 302 085 V.1.1.2 (2001-02) TS1-TS5				
CROSS POLARIZATION	ETSI EN 302 085 V.1.1.2 (2001-02) TS1-TS5				
F/B RATIO	-40 dB (max)				
INPUT IMPEDANCE	50 (ohm)				
INPUT POWER	6W (max)				
LIGHTNING PROTECTION	DC Grounded				
<b>MECHANICAL</b>					
DIMENSIONS (LxWxD)	600x600x51mm (max)				
WEIGHT	5 kg (max)				
CONNECTOR	N-Type Female				
RADOME	Plastic				
BASE PLATE	Aluminum with chemical conversion coating				
OUTLINE DRAWING	See page 2				
MOUNTING KIT	MT-120019				
<b>ENVIRONMENTAL</b>					
TEST	STANDARD	DURATION	TEMPERATURE	NOTES	
LOW TEMPERATURE	IEC 68-2-1	72 h	-55° C	-	
HIGH TEMPERATURE	IEC 68-2-2	72 h	+71° C	-	
TEMP. CYCLING	IEC 68-2-14	1 h	-45° C +70° C	3 Cycles	
VIBRATION	IEC 60721-3-4	30 min/axis	-	Random 4M3	
SHOCK MECHANICAL	IEC 60721-3-4	-	-	4M3	
HUMIDITY	ETSI EN300-2-4 T4.1E	144 h	-	95%	
WATER TIGHTNESS	IEC 529	-	-	IP67	
SOLAR RADIATION	ASTAM G53	1000 h	-	-	
FLAMMABILITY	UL 94	-	-	Class HB	
SALT SPRAY	IEC 68-2-11 Ka	500 h	-	-	
ICE AND SNOW	-	-	-	25mm Radial	
WIND SPEED SURVIVAL	-	-	-	220 Km/h	
OPERATION	-	-	-	160 Km/h	
WIND LOAD SUR. FRONT TH.	-	-	-	103.6kg	
SIDE TH	-	-	-	8.6 kg	

## 5.15-5.875 GHz 28dBi Broadband Subscriber Antenna

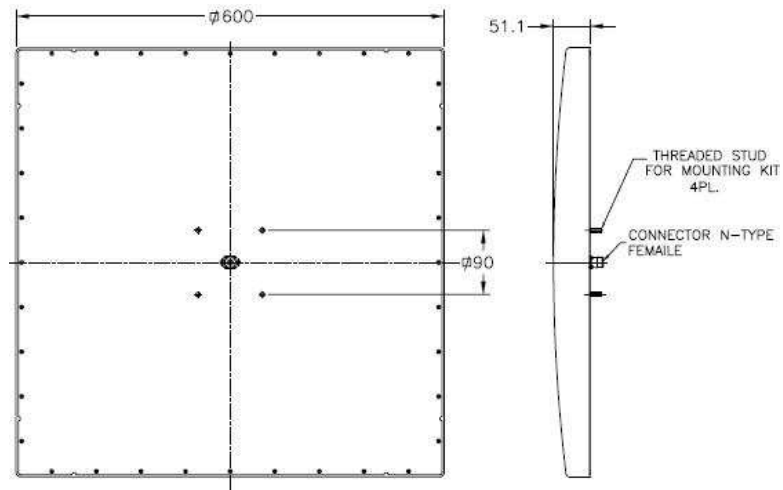
Azimuth Radiation Pattern  
 Midband Freq. 5.35 GHz



Elevation Radiation Pattern  
 Midband Freq. 5.35 GHz



### Dimensions [mm]



### Existing Antenna Versions


MTI Wireless Edge is certified according to ISO 9001 and ISO 14001.

#### WAIVER!

While the information contained in this document has been carefully compiled to the best of our present knowledge, it is not intended as presentation or warranty of any kind on our part regarding the fitness of the products concerned for any particular use or purpose and neither shall any statement contained herein be construed as a recommendation to infringe any industrial property rights or as a license to use any such rights. The fitness of each product for any particular purpose must be checked beforehand with our specialists.

#### MTI Wireless Edge Ltd.

11 Hamelacha St.  
 Afek Industrial Park  
 Rosh Ha'ayin 48091, Israel  
 Tel: +972-3-9008900  
 Fax: +972-3-9008901  
[www.mtiwe.com](http://www.mtiwe.com)