

**MT-485028/N**



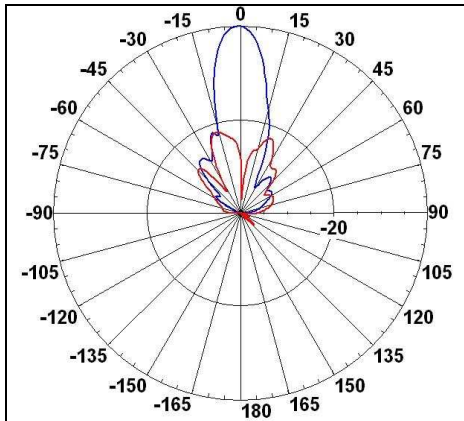
## 5.15-5.875 GHz 22 dBi Broadband Low-Cost Subscriber Antenna

### Specifications

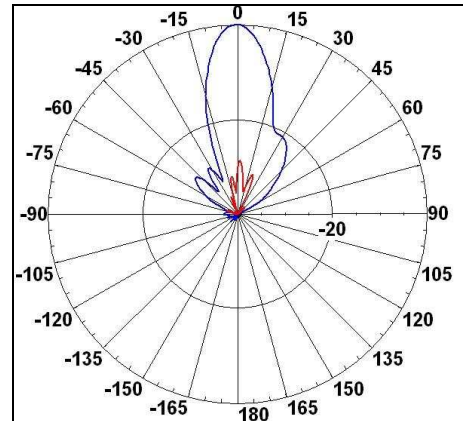
MTI PART NUMBER		MT - 485028/N			
<b>ELECTRICAL</b>					
REGULATORY COMPLIANCE		ETSI EN 302 085 V.1.1.2 (2001-02) Range 1 RoHS, CE 0682			
FREQUENCY RANGE		5.15 - 5.875 GHz			
GAIN		21.5dBi (min) @ 5.15-5.25GHz 22 dBi (min) @ 5.25-5.875GHz			
VSWR		1.9:1 @ 5.15-5.25 GHz 1.7:1 @ 5.25-5.875 GHz			
3 dB BEAMWIDTH		AZ	9° (typ)		
		EL	9° (typ)		
POLARIZATION		Linear Vertical or Horizontal			
SIDELOBES		ETSI EN 302 085 V.1.1.2 (2001-02) TS1-TS3			
CROSS POLARIZATION DISCRIMINATION		-28dB (max)			
CROSS POLARIZATION		ETSI EN 302 085 V.1.1.2 (2001-02) TS1-TS3			
F/B RATIO		-35 dB (max)			
INPUT IMPEDANCE		50 (ohm)			
INPUT POWER		6W (max)			
LIGHTNING PROTECTION		DC Grounded			
<b>MECHANICAL</b>					
DIMENSIONS (LxWxD)		305x305x15mm (max)			
WEIGHT		1.2 kg (max)			
CONNECTOR		N-Type Female			
RADOME		Plastic			
BASE PLATE		Aluminum with chemical conversion coating			
OUTLINE DRAWING		See page 2			
MOUNTING KIT		MT-120018			
<b>ENVIRONMENTAL</b>					
TEST	STANDARD	DURATION	TEMPERATURE	NOTES	
LOW TEMPERATURE	IEC 68-2-1	72 h	-55° C	-	
HIGH TEMPERATURE	IEC 68-2-2	72 h	+71° C	-	
TEMP. CYCLING	IEC 68-2-14	1 h	-45° C +70° C	3 Cycles	
VIBRATION	IEC 60721-3-4	30 min/axis	-	Random4M5	
SHOCK MECHANICAL	IEC 60721-3-4	-	-	4M5	
HUMIDITY	ETSI EN300-2-4 T4.1E	144 h	-	95%	
WATER TIGHTNESS	IEC 529	-	-	IP67	
SOLAR RADIATION	ASTAM G53	1000 h	-	-	
FLAMMABILITY	UL 94	-	-	Class HB	
SALT SPRAY	IEC 68-2-11 Ka	500 h	-	-	
ICE AND SNOW	-	-	-	25mm Radial	
WIND SPEED SURVIVAL	-	-	-	220 Km/h	
OPERATION	-	-	-	160 Km/h	
WIND LOAD SUR. FRONT TH.	-	-	-	26.8 kg	
SIDE TH	-	-	-	1.3 kg	

## 5.15-5.875GHz 22dBi Broadband Low-Cost Subscriber Antenna

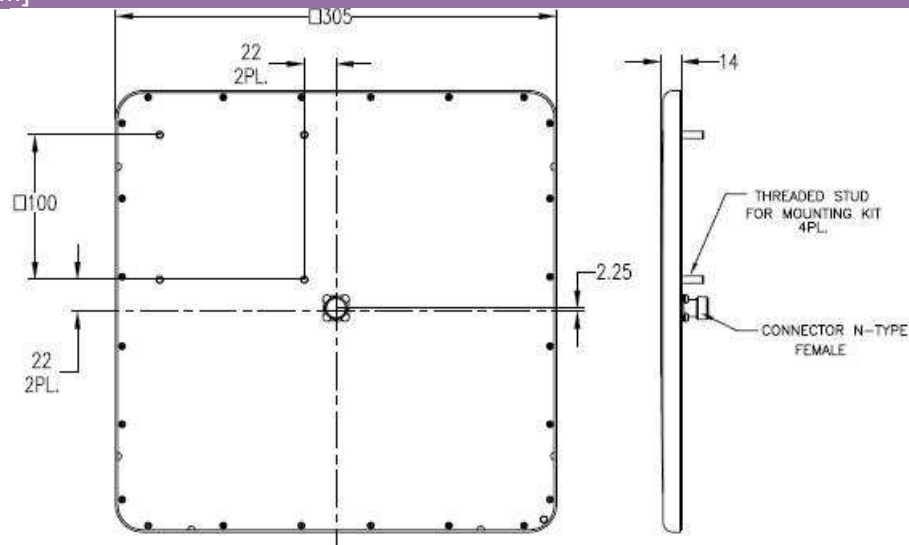
Azimuth Radiation Pattern  
 Midband Freq. 5.47 GHz



Elevation Radiation Pattern  
 Midband Freq. 5.47 GHz



### Dimensions [mm]



### Existing Antenna Versions

MT-485028/S/E	Integrated Antenna Enclosure Version - 1 foot
MT-485028/S/R	Integrated Antenna Enclosure Version - 1/2 foot

MTI Wireless Edge is certified according to ISO 9001 and ISO 14001.

#### WAIVER!

While the information contained in this document has been carefully compiled to the best of our present knowledge, it is not intended as presentation or warranty of any kind on our part regarding the fitness of the products concerned for any particular use or purpose and neither shall any statement contained herein be construed as a recommendation to infringe any industrial property rights or as a license to use any such rights. The fitness of each product for any particular purpose must be checked beforehand with our specialists.

#### MTI Wireless Edge Ltd.

11 Hamelacha St.  
 Afek Industrial Park  
 Rosh Ha'ayin 48091, Israel  
 Tel: +972-3-9008900  
 Fax: +972-3-9008901  
[www.mtiwe.com](http://www.mtiwe.com)