

MT-485002

5.15-5.875 GHz 23dBi Subscriber Antenna

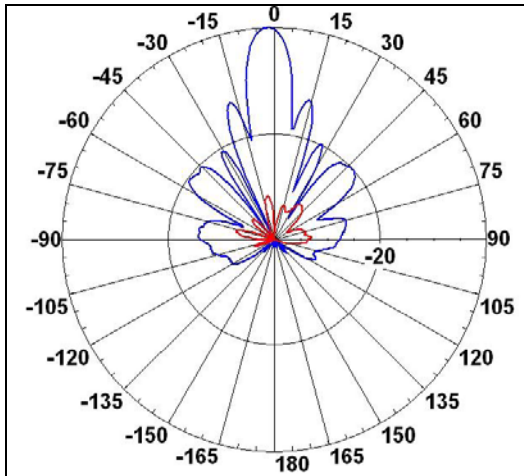


Specifications

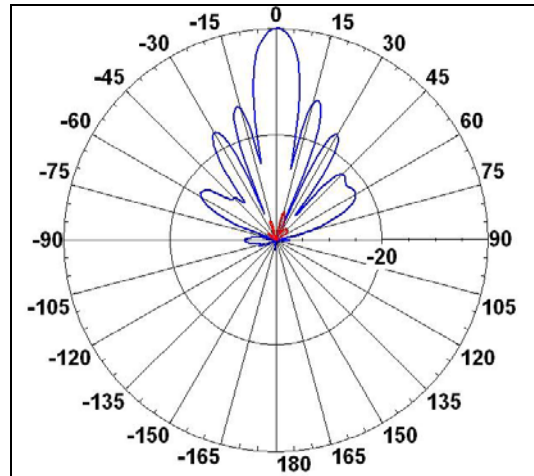
MTI PART NUMBER		MT - 485002		
ELECTRICAL				
REGULATORY COMPLIANCE	ETSI EN 302 085 V.1.1.2 (2001-02)			
FREQUENCY RANGE	5.15 - 5.875 GHz			
GAIN	23 dBi (min)			
VSWR	1.7 : 1 (max)			
3 dB BEAMWIDTH	9° (typ)			
POLARIZATION	Linear Vertical or Horizontal			
SIDELOBES LEVEL	ETSI EN 302 085 V.1.2.2 Range 1, TS1-TS3			
CROSS POLARIZATION	-28dB (max)			
F/B RATIO	-32 dB (max)			
INPUT IMPEDANCE	50 (ohm)			
INPUT POWER	6W (max)			
LIGHTNING PROTECTION	DC Grounded			
MECHANICAL				
DIMENSIONS (LxWxD)	305x305x25mm (max)			
WEIGHT	1.2 kg (max)			
CONNECTOR	N-Type Female			
RADOME	Plastic			
BASE PLATE	Aluminum with chemical conversion coating			
OUTLINE DRAWING	See page 2			
MOUNTING KIT	MT-120018			
ENVIRONMENTAL				
TEST	STANDARD	DURATION	TEMPERATURE	NOTES
LOW TEMPERATURE	IEC 68-2-1	72 h	-55°C	-
HIGH TEMPERATURE	IEC 68-2-2	72 h	+71°C	-
TEMP. CYCLING	IEC 68-2-14	1 h	-45°C +70°C	3 Cycles
VIBRATION	IEC 60721-3-4	30 min/axis	-	Random 4M3
SHOCK MECHANICAL	IEC 60721-3-4	-	-	4M3
HUMIDITY	ETSI EN300-2-4 T4.1E	144 h	-	95%
WATER TIGHTNESS	IEC 529	-	-	IP67
SOLAR RADIATION	ASTAM G53	1000 h	-	-
FLAMMABILITY	UL 94	-	-	Class HB
SALT SPRAY	IEC 68-2-11 Ka	500 h	-	-
ICE AND SNOW	-	-	-	25mm Radial
WIND SPEED SURVIVAL	-	-	-	220 Km/h
OPERATION	-	-	-	160 Km/h
WIND LOAD SUR. FRONT TH.	-	-	-	26.8 kg
SIDE TH	-	-	-	2.2 kg

5.15-5.875 GHz 23 dBi Subscriber Antenna

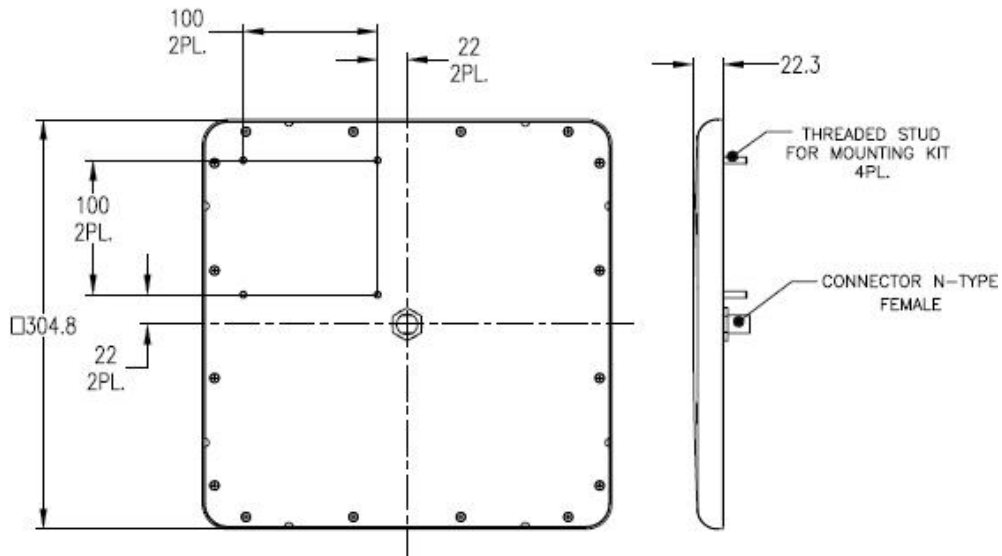
Azimuth Radiation Pattern
 Midband Freq. 5.45 GHz



Elevation Radiation Pattern
 Midband Freq. 5.35 GHz



Dimensions [mm]



Existing Antenna Versions

MT-485002/S/E	Integrated Antenna Enclosure
---------------	------------------------------

MTI Wireless Edge is certified according to ISO 9001 and ISO 14001.

WAIVER!

While the information contained in this document has been carefully compiled to the best of our present knowledge, it is not intended as presentation or warranty of any kind on our part regarding the fitness of the products concerned for any particular use or purpose and neither shall any statement contained herein be construed as a recommendation to infringe any industrial property rights or as a license to use any such rights. The fitness of each product for any particular purpose must be checked beforehand with our specialists.

MTI Wireless Edge Ltd.

11 Hamelacha St.
 Afek Industrial Park
 Rosh Ha'ayin 48091, Israel
 Tel: +972-3-9008900
 Fax: +972-3-9008901
www.mtiwe.com